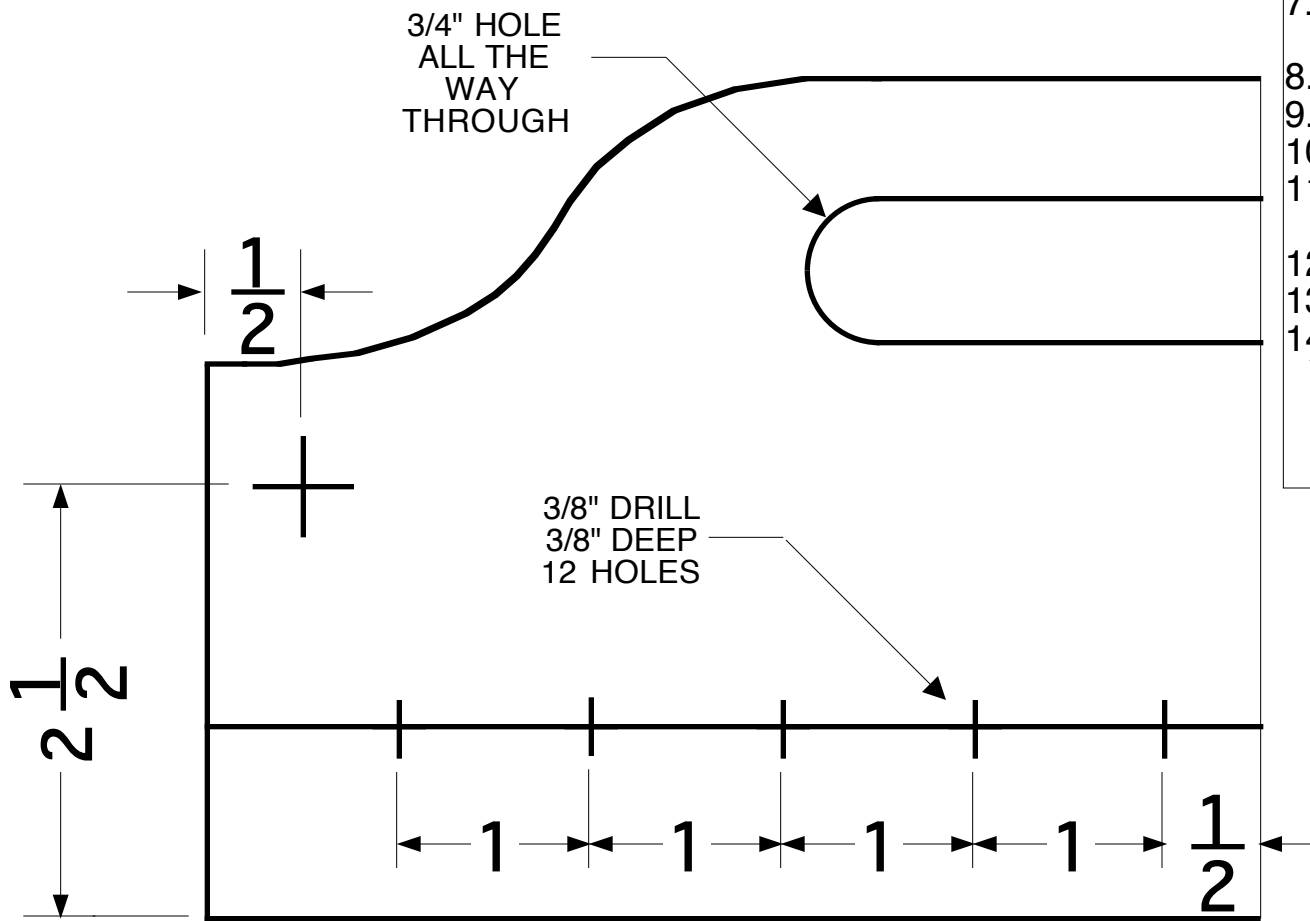


NAME _____

CASSEROLE HOLDER

MATERIALS: MAHOGANY 4 1/2" X 11" (MAKE 2)
DOWELS - 12 STICKS - 16 7/8" LONG



1. LAYOUT HANDLE (REMEMBER YOUR NAME IS THE BOTTOM. ONLY DO 1 PIECE.)
2. GET GRADED WORTH 10 POINTS _____
3. DRILL HANDLE ON DRILL PRESS (after drilling 2nd piece stamp 1st & last name on the bottom of each piece)
4. SAND ALL PENCIL MARKS OFF
5. CUT HANDLE ON JIG SAW
6. FILE & SAND HANDLES ROUND **SHOW KUHN PROJECT BEFORE GOING ON TO NEXT STEP**
7. GET OTHER PIECE GRADED WORTH 10 POINTS _____
8. REPEAT STEPS 3 THROUGH 6
9. KUHN TRACES PATTERN
10. CUT ON LINE AT JIG SAW
11. FILE AND SAND ALL EDGES ROUND (EXCEPT BOTTOM EDGE)
12. LAYOUT DOWEL HOLES
13. DRILL DOWEL HOLES
14. SAND OFF PENCIL MARKS YOU WILL BE GIVEN A "HOW TO COMPLETE CASSEROLE HOLDER" HANDOUT

POINTS MISSED ON TEST

POINTS MISSED ON HANDLE

POINTS MISSED ON PROJECT

TOTAL POINTS

TOTAL GRADE